

1/2 Disc , Automatic Reset type thermostat

THERMOSTAT US-118

Application/Bath boiler, water heater, etc.

Operating temp. 250°C max.



US-118BXHL



US-118BXHM

Specification

Electrical rating	Type B : 125 VAC 3A max. (200mA min.) Type C : 24 VDC 1A max. (5 VDC 1mA min.) 40 VDC 0.5A max. (5 VDC 1mA min.)				
Operation temp. range	0~50°C	51~100°C	101~150°C	151~190°C	191~250°C
Temperature tolerance	±4/±5	±4/±6	±5/±7	±6/±8	±8/±10
Differential	15K	15K	20K	25K	30K
Circuit resistance	Type B : 70 mΩ or less Type C : 10 mΩ or less				
Insulation resistance	100 MΩ or more [with a 500 VDC megger]				
Dielectric strength	Type B : 1,200 VAC / 1min. Type C : 1,000 VAC / 1min.				
Heat resistance	250°C				
Cold resistance	-20°C				
Switching durability	100,000 times or more [at rated load]				

* The maximum temperature on the JIA certification will be 180 °C

* Please contact the Overseas Sec. for the details since the types and specifications of the approved models are slightly different from those shown above.

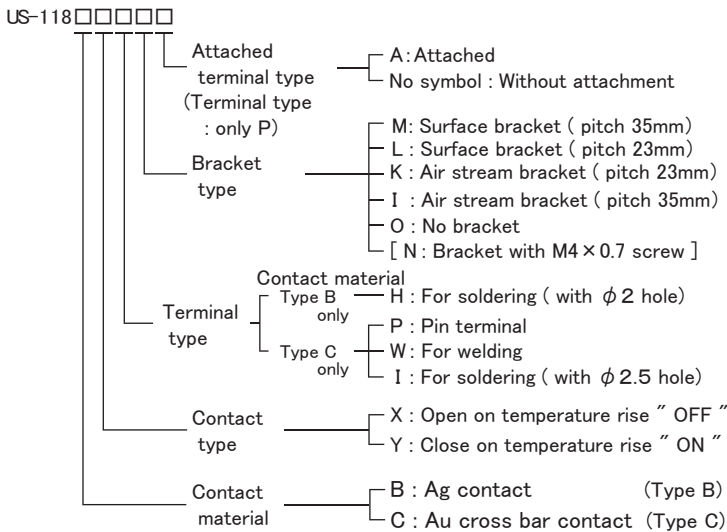


Stainless braket

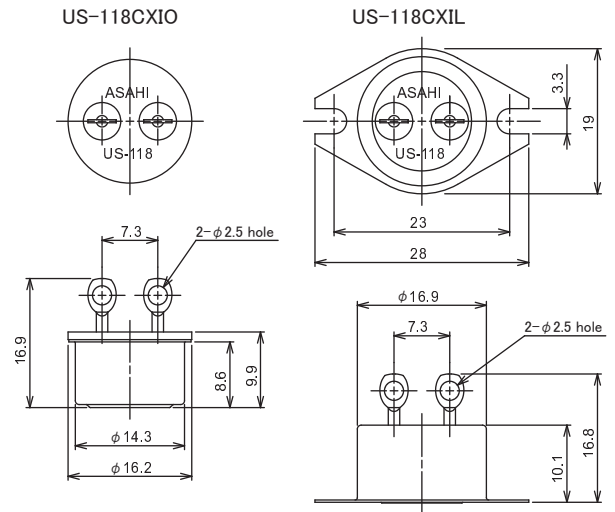
US-118CXIO



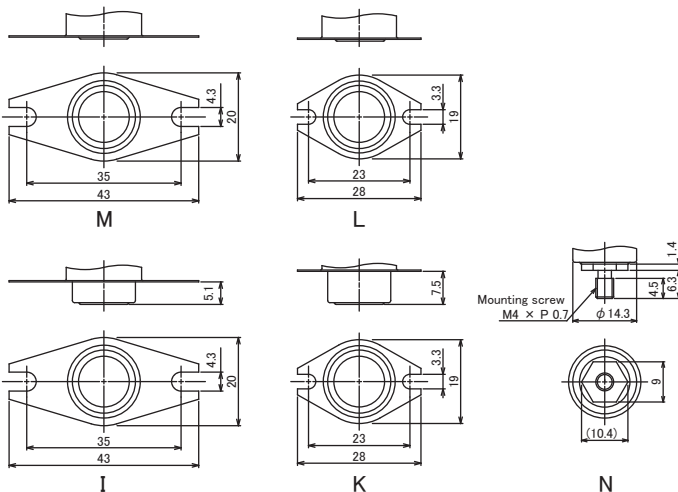
Model code



Dimensional drawings



Bracket type



Terminal type

