

1/2 inch, Automatic Reset type

THERMOSTAT US-602

Application/Oven, Heating unit, LBP etc.

Operating temp. 150°C max.



US-602SXRLQE

Phenol resin case



Model code

US-602□□□□□□

- The material of the bracket stainless steel (other than KO and SO)
- QO : Aluminum cover , no bracket
 - QE : Aluminum , movable surface bracket (pitch 23.8mm)
 - QE-FB : Aluminum , fixed surface backet (pitch 23.8mm)
 - QL : Aluminum , movable surface bracket (pitch 24.5mm)
 - QL-FB : Aluminum , fixed surface backet (pitch 24.5mm)
 - KO : Aluminum , air stream bracket (depth 5.0mm , 24.5mm)
 - AS : Stainless , movable surface bracket (pitch 24.0mm)
 - IO : Stainless , air stream backet (depth 4.6mm , 24.5mm)
 - JO : Stainless , air stream backet (depth 5.2mm , 24.5mm)
 - QD : Aluminum , movable surface bracket (pitch 30.0mm)
 - QM : Aluminum , movable surface bracket (pitch 23.8mm)
(for mounting an M3 tapping screw)
 - FO : Stainless cover , no bracket
 - FF : Stainless , movable surface bracket (pitch 25.0mm)
 - SO : Brass cover , stud mounting type
[M3 × 0.5, M4 × 0.7, M5 × 0.8, 6-32UNC, 8-32UNC, 10-32UNF]
- Cover • mounting bracket type
- L : Terminal for positive lock connector 250 series
(size : 6.35 × t 0.8 material: brass , Sn-plated)
 - M : Terminal for positive lock connector 187 series
(size : 4.75 × t 0.5 material: brass , Sn-plated)
 - V : Connector IEC60730-1 quasi-terminal
(size : 4.8 × t 0.8 material: brass , Sn-plated)
 - S : For soldering (Brass t 0.5 , Ni-plated)
- Terminal type
- R : Horizontal terminal
 - T : Vertical terminal
- Terminal angle
- X : Open on temperature rise
 - Y : Close on temperature rise
- Contact type
- S : Ag • Ag alloy contact / standerd case
 - K : Au cross bar contact / standerd case
- Application type



US-602SXRSKO



US-602SXTSSO

Specification

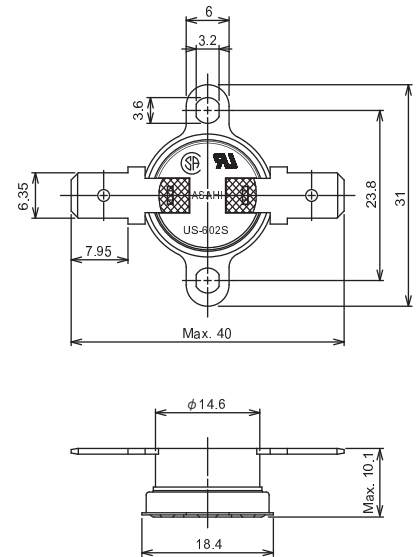
| | | | |
|-------------------------|---|-----------|-----------|
| Electrical rating | Type S : 125 VAC 15A max. (200mA min.) 250 VAC 8A max. (200mA min.) Type K : 30 VDC 1A max. (5 VDC 1mA min.) 120 VAC 125 VA (Pilot Duty) | | |
| Operating temp. range | 0~50°C | 51~100°C | 101~150°C |
| Temperature tolerance | ±4K / ±5K | ±4K / ±6K | ±5K / ±7K |
| Differential | 12K | 15K | 20K |
| Circuit resistance | Type S : 50 mΩ or less Type K : 10 mΩ or less | | |
| Insulation resistance | 100 MΩ or more [with a 500 VDC megger] | | |
| Dielectric strength | Type S : 1500 VAC / 1 min. Type K : 1200 VAC / 1 min. | | |
| The max. override temp. | 150°C | | |
| Cold resistance | -20°C | | |
| Switching durability | 100,000 times or more [at rated load] | | |

* The differential varies slightly with the operating temperature.

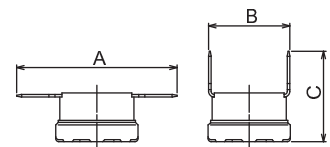
* Please contact the Overseas Sec for the details since the type s and specifications of the approved models are slightly different from those shown above.

Dimensional drawings

US-602SXRLQE



Terminal type and angle



R : Horizontal terminal T : Vertical terminal

[Unit : mm]

| Terminal type | A | B | C |
|---------------|--------|----------|----------|
| L | Max.40 | (17.0) | (21.0) |
| M | Max.36 | (16.0) | (19.5) |
| V | Max.33 | (16.6) | (18.2) |
| S | Max.28 | (16.0) | (14.8) |

※ Above dimation is applied for US-602

※ For Cover and bracket model, please refer to page 16.