

1/2 inch, Manual Reset type

THERMOSTAT US-603

Application/ Jar pot , Wind lu kettle , etc.

Operating temp. 150°C max.



Phenol resin case

US-603UXRLQE-H



US-603UXTMAS-H



US-603UXTLKO-H

Specification

Electrical rating	Type U : 125 VAC 15A max. (200mA min.) 250 VAC 10A max. (200mA min.)	
	Type K : 30 VDC 1A max. (5 VDC 1mA min.)	
Operating temp. range	50~100°C	101~150°C
Temperature tolerance	±4K	±5K
Circuit resistance	Type U : 50 mΩ or less Type K : 10 mΩ or less	
Insulation resistance	100 MΩ or more [with a 500 VDC megger]	
Dielectric strength	Type U : 1500 VAC / 1 min. Type K : 1200 VAC / 1 min.	
Heat resistance	150°C	
Cold resistance	-20°C	
Switching durability	5,000 times or more [at rated load]	

* The differential varies slightly with the operating temperature.

* Please contact the Overseas Sec for the details since the types and specifications of the approved models are slightly different from those shown above.



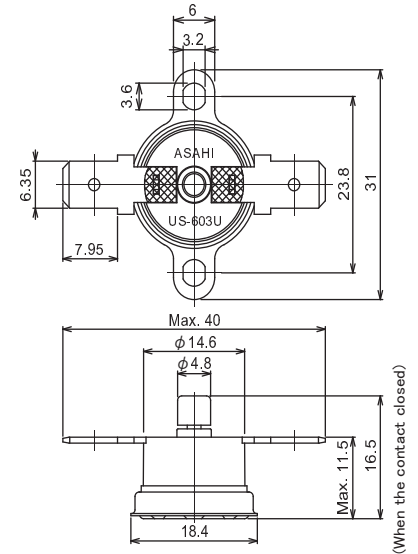
Model code

US-603□ X□□□□□□□□□□

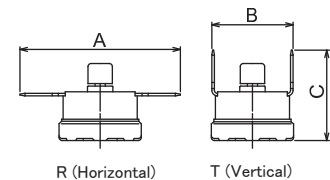
- H : VDE, EN 60730 (U type)
 - QO : Aluminum cover , No bracket
 - QE : Aluminum , Movable surface bracket (pitch 23.8mm)
 - QE-FB : Aluminum , Fixed surface bracket (pitch 23.8mm)
 - QL : Aluminum , Movable surface bracket (pitch 24.5mm)
 - QL-FB : Aluminum , Fixed surface bracket (pitch 24.5mm)
 - KO : Aluminum , Air stream basket (depth 5.0mm , 24.5mm)
 - AS : Stainless , Stationary surface bracket (pitch 24.0mm)
 - IO : Stainless , Air stream basket (depth 4.6mm , 24.5mm)
 - JO : Stainless , Air stream basket (depth 5.2mm , 24.5mm)
 - QD : Aluminum , Movable surface bracket (pitch 30.0mm)
 - QM : Aluminum , movable surface bracket (pitch 23.8mm)
(for mounting an M3 tapping screw)
 - FO : Stainless cover , No bracket
 - FF : Stainless, Movable surface bracket (pitch 25.0mm)
 - SO : Brass cover , stud mounting type
[M3 × 0.5, M4 × 0.7, M5 × 0.8, 6-32UNC, 8-32UNC, 10-32UNF]
- Cover mounting bracket type
- L : Terminal for positive lock connector 250 series
(size : 6.35 × t 0.8 material: brass , Sn-plated)
 - M : Terminal for positive lock connector 187 series
(size : 4.75 × t 0.5 material: brass , Sn-plated)
 - V : Connector IEC60730-1 quasi-terminal
(size : 4.8 × t 0.8 material: brass , Sn-plated)
 - S : For soldering (Brass t 0.5 , Ni-plated)
- Terminal type
- R : Horizontal terminal
 - T : Vertical terminal
- Terminal angle
- Contact type
- X : Open on temperature rise
- Application type
- U Ag · Ag alloy contact / standerd case
 - K : Au cross bar contact / standerd case

Dimensional drawings

US-603AXRLQE



Terminal type and angle



[Unit : mm]

Terminal type	K type			U type
	A	B	C	C
L	Max.40	(17.0)	(21.0)	(22.4)
M	Max.36	(16.0)	(19.5)	(20.9)
V	Max.33	(16.6)	(18.2)	(19.4)
S	Max.28	(16.0)	(14.8)	(16.5)

※ Above dimention is applied for US-603