

1/2 inch, Automatic Reset type

THERMOSTAT US-621

Application/ Scanner, Printer, Copier, etc.
Operating temp. 200°C max.



US-621AXRIMO

PPS resin case



US-621AXTGKO



US-621AXTGQE

Specification

Electrical rating	125 VAC 15A max. (200mA min.) 250 VAC 10A max. (200mA min.)				
Operating temp. range	0~50°C	51~100°C	101~150°C	151~190°C	191~200°C
Temperature tolerance	±4/±5K	±4/±6K	±5/±7K	±6/±8K	±7/±10K
Differential	12K	15K	20K	25K	30K
Circuit resistance	50 mΩ or less				
Insulation resistance	100 MΩ or more [with a 500 VDC megger]				
Dielectric strength	1500 VAC / 1 min.				
Heat resistance	200°C				
Cold resistance	-20°C				
Switching durability	100,000 times or more [at rated load]				

* The differential varies slightly with the operating temperature.
* Please contact the Overseas Sec for the details since the types and specifications of the approved models are slightly different from those shown above.
* US-621 is adapted to be a S.O.D. with a quick response.

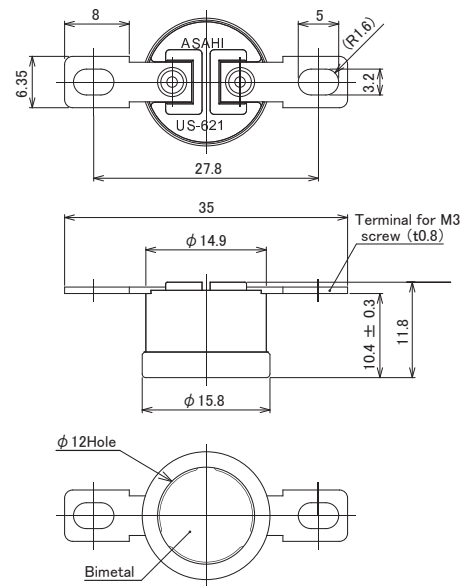
Model code

US-621 A □ □ □ □

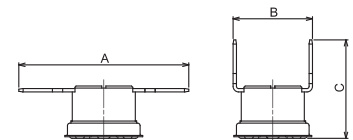
- The material of the bracket stainless steel (other than KO and SO)
- QO : Aluminum cover , No bracket
 - QE : Aluminum , Stationaly surface bracket (pitch 23.8mm)
 - QE-FB : Aluminum , Fixed surface backet (pitch 23.8mm)
 - QL : Aluminum , Movable surface bracket (pitch 24.5mm)
 - QL-FB : Aluminum , Fixed surface bracket (pitch 24.5mm)
 - KO : Aluminum , Air stream backet (depth 5.0mm , 24.5mm)
 - GO : Aluminum , Air stream backet (depth 5.4mm , 24.5mm)
 - MO : Stainless cover , No bracket (with φ 12 hole type)
 - IO : Stainless , Air stream backet (depth 4.6mm , 24.5mm)
 - JO : Stainless , Air stream backet (depth 5.2mm , 24.5mm)
 - QD : Aluminum , Movable surface bracket (pitch 30.0mm)
 - QM : Aluminum , Movable surface bracket (pitch 23.8mm)
(for mounting an M3 tapping screw)
 - DO : Aluminum cover , No bracket (with φ 12 hole type)
 - NO : Aluminum cover , No bracket (with frange type)
 - CO : Stainless , Air stream backet (with hole , depth 4.2 , 24.5)
 - SO : Brass cover , Stud mounting type
[M3 × 0.5, M4 × 0.7, M5 × 0.8, 6-32UNC, 8-32UNC, 10-32UNF]
- Terminal type
 - G : Equivalent to Positive Lock Connector 250 series
(size : 6.35 × t 0.8 material : steel , Ni-plated)
 - H : Equivalent to Positive Lock Connector 187 series
(size : 4.75 × t 0.5 material : steel , Ni-plated)
※ H : Combination of horizontal terminal (R)
 - I : Fixed screw mount (steel t 0.8 , Ni-plated)
※ I : Combination of horizontal terminal (R)
 - Terminal angle
 - R : Horizontal terminal
 - T : Vertical terminal
 - Contact type
 - X : Open on temperature rise
 - Y : Close on temperature rise
 - Application type
 - A : Ag · Ag alloy contact

Dimensional drawings

US-621AXRIMO



Terminal type and angle



[Unit : mm]

Terminal type	A	B	C
G	(40.2)	(19.0)	(23.3)
H	(36.0)	—	—
I	(36.0)	—	—

※ For Cover and bracket model, please refer to page 16.

※ Above dimation is applied for US-621