

IP67 Drip-proof performance

THERMOSTAT US-628

Application/ gas and oil appliances, fuel cell, etc.

Operating temp. 130°C max.



Phenol resin case

US628AXSSAS-F



Model code

US-628 □ □ S S □ □ - □ □ □

Special specifications

- F: Fluoropolymer wire (Heatproof temperature 180°C)
[Standard : White , 0.5sq 、 Length 100mm]
- V : Heat-proof, lead-free PVC wire
(Heatproof temperature 115°C)
[Standard : Black , 0.5sq 、 Length 100mm]

The material of the bracket stainless steel

- QO : Aluminum cover , no bracket
- QE : Aluminum , movable surface bracket (pitch 23.8mm)
- QE-FB : Aluminum , fixed surface backet (pitch 23.8mm)
- QL : Aluminum , movable surface bracket (pitch 24.5mm)
- QL-FB : Aluminum , fixed surface bracket (pitch 24.5mm)
- AS : Stainless , movable surface bracket (pitch 24.0mm)
- AT : Stainless , movable surface bracket (pitch 24.5~26mm)

Cover · mounting bracket type

Terminal type — SS : Filling a dedicated terminal (Standard)

Contact type — X : Open on temperature rise
Y : Close on temperature rise

Application type — A : Ag · Ag alloy contact Type A
K : Au cross bar contact Type K



US-628AXSSAT-F



US-628AXSSKO-F

Specification

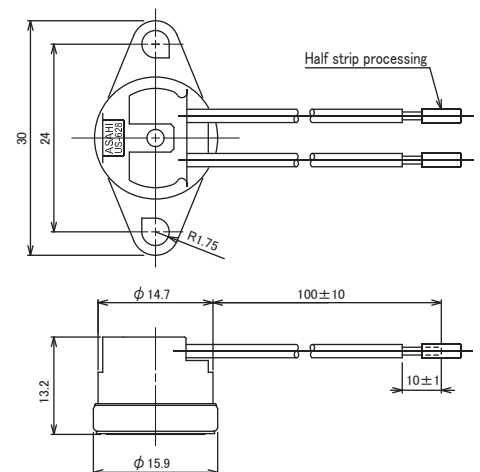
Electrical rating	Type A : 125 VAC 10A max. (200mA min.) 250 VAC 5A max. (200mA min.) Type K : 24 VDC 1A max. (5 VDC 1mA min.) 40 VDC 0.5A max. (5 VDC 1mA min.)		
Operating temp. range	30~50°C	51~100°C	101~130°C
Temperature tolerance	±4K / ±5K	±4K / ±6K	±5K / ±7K
Differential	12K	15K	20K
Circuit resistance	70 mΩ or less [varies depending on the lead]		
Insulation resistance	100 MΩ or more [with a 500 VDC megger]		
Dielectric strength	Type A : 1500 VAC / 1 minute Type K : 1200 VAC / 1 minute		
Heat resistance	130°C		
Cold resistance	-20°C		
Switching durability	30,000 times or more [at rated load]		

* The differential varies slightly with the operating temperature.

* Please contact the Overseas Sec for the details since the type s and specifications of the approved models are slightly different from those shown above.

Dimensional drawings

US-628AXSSAS-F



※ For Cover and bracket model, please refer to page 16.