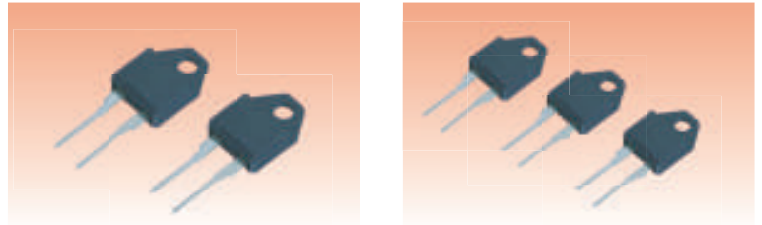


Temp. sensing in a space-saving

THERMOSTAT US-802



US-802AX (AY)

PCB mounting type

Application/ LCD, Projector, PCB
Operating temp. Max. 120°C



PBT Resin US-802AX (AY)

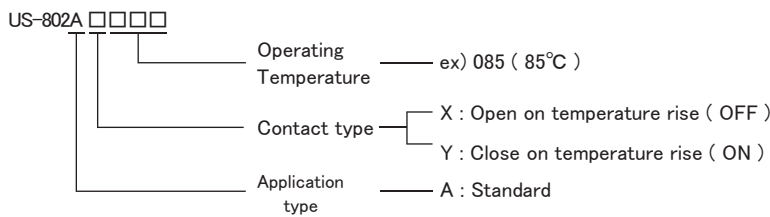
Specification

| | |
|-----------------------|---|
| Electrical rating | 125 VAC max. 1A (200mA min.) 48 VDC max. 1A (5 VDC 1mA min.) |
| Operation temp. range | 40~120°C (5K indent) |
| Tolerance | Operate ±5K / Reset ±7K |
| Differential | 15K |
| Circuit resistance | 50 mΩ or less [DC 1A] |
| Insulation resistance | 100 MΩ or more [with a 500 VDC megger] |
| Withstand voltage | 1200 VAC / 1min. |
| Heat resistance | 125°C |
| Cold resistance | -20°C |
| Switching durability | 100,000 times or more [at rated load] |

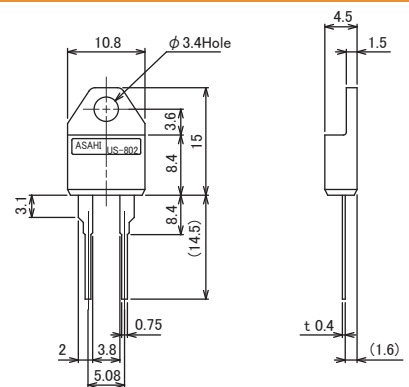
- * Ultra-compact design, easy to mount on a PC Board
- * Please contact us for specifications that exceeds this specification



Model code



Dimensional drawings



Operating temperature / return temperature table

US-802AX type (Open on temperature rise)

| Model code | Operate temp. OFF ±5K | Reset temp. ON ±7K |
|------------|-----------------------|--------------------|
| 802AX040 | 40 | 25 |
| 802AX045 | 45 | 30 |
| 802AX050 | 50 | 35 |
| 802AX055 | 55 | 40 |
| 802AX060 | 60 | 45 |
| 802AX065 | 65 | 50 |
| 802AX070 | 70 | 55 |
| 802AX075 | 75 | 60 |
| 802AX080 | 80 | 65 |
| 802AX085 | 85 | 70 |
| 802AX090 | 90 | 75 |
| 802AX095 | 95 | 80 |
| 802AX100 | 100 | 85 |
| 802AX105 | 105 | 90 |
| 802AX110 | 110 | 95 |
| 802AX115 | 115 | 100 |
| 802AX120 | 120 | 105 |

US-802AY type (Close on temperature rise)

| Model code | Operate temp. ON ±5K | Reset temp. OFF ±7K |
|------------|----------------------|---------------------|
| 802AY040 | 40 | 25 |
| 802AY045 | 45 | 30 |
| 802AY050 | 50 | 35 |
| 802AY055 | 55 | 40 |
| 802AY060 | 60 | 45 |
| 802AY065 | 65 | 50 |
| 802AY070 | 70 | 55 |
| 802AY075 | 75 | 60 |
| 802AY080 | 80 | 65 |
| 802AY085 | 85 | 70 |
| 802AY090 | 90 | 75 |
| 802AY095 | 95 | 80 |
| 802AY100 | 100 | 85 |
| 802AY105 | 105 | 90 |
| 802AY110 | 110 | 95 |
| 802AY115 | 115 | 100 |
| 802AY120 | 120 | 105 |