

High temperature setting type , Rapid thermal response

Compatible with reinforced insulation (S.O.D.) Specification-compliant products

THERMOSTAT US-828

Application/Copy, LBP etc.

Operating temp. 290°C max.



US-828AXAB



US-828AXAB



US-828AXBB

Specification

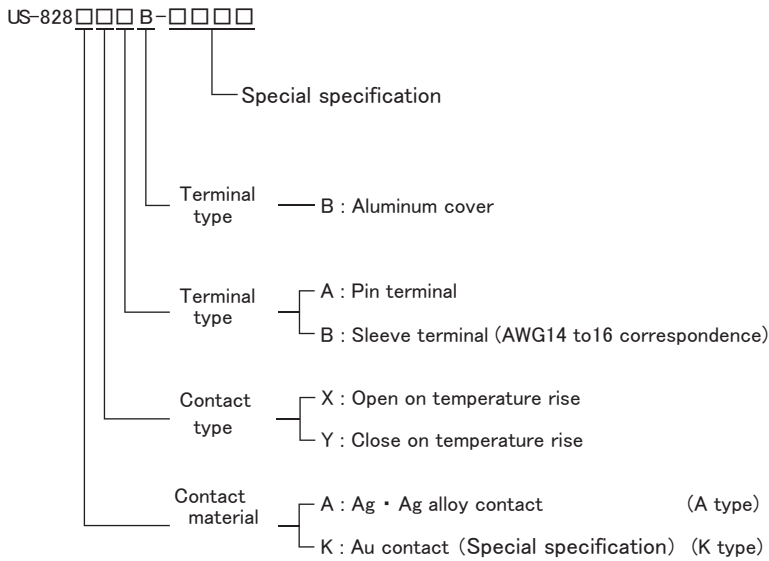
Electrical rating	Type A : 125 VAC 16A max. (200mA min.) 250 VAC 10A max. (200mA min.) Type K : 24 VDC 1A max. (5 VDC 1mA min.)
Operating temp. range	220~290°C
Temperature tolerance	±7K or more
Circuit resistance	50 mΩ or less
Insulation resistance	100 MΩ or more [with a 500 VDC megger]
Dielectric strength	1500 VAC / 1min.
Heat resistance	300°C
Cold resistance	-20°C
Switching durability (Use S.O.D.)	3 times or more [at rated load]

* Please contact us for specifications that exceeds this specification

Ceramic case

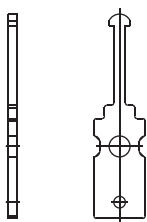


Model code

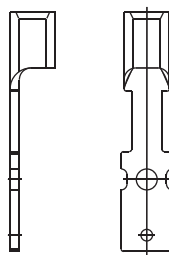


Terminal shape view

A type

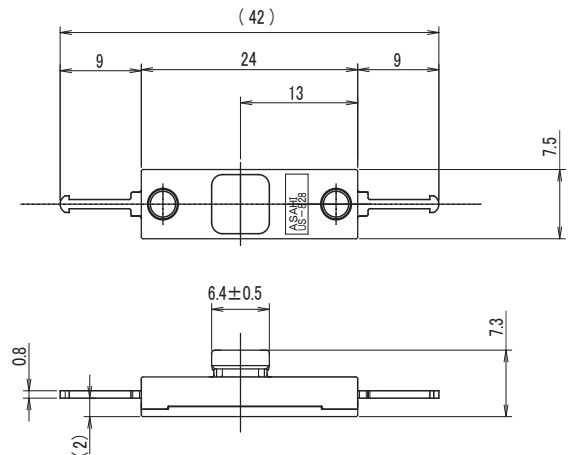


B type



Dimensional drawings

US-828AXAB



US-828AXBB

